



## SolarRiver-D Series

### 3400 / 4000 / 4500 / 5000 / 5200 / 6000TL-D

#### SIMPLE. FLEXIBLE.

- Simplified system design due to dual MPPT
- Free site selection due to IP65
- Easy installation and maintenance due to "Plug & Play" connection
- Parameter and country code setting during initial start-up

#### OPEN. CONVERSATIONAL.

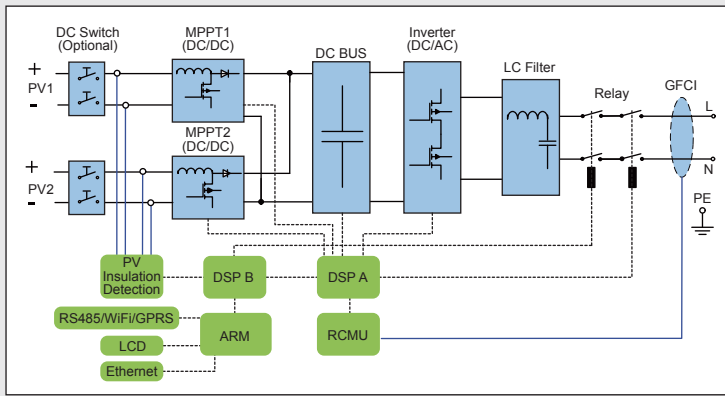
- Interface selection – Ethernet, Wi-Fi and RS485 for more flexible configuration and system monitoring
- Multi-lingual 3.5" TFT LCD display
- Easy key pad operation
- Digital inputs for the economic connection of a ripple control receiver
- Configurable multi-function relay output

#### SECURE. EFFICIENT.

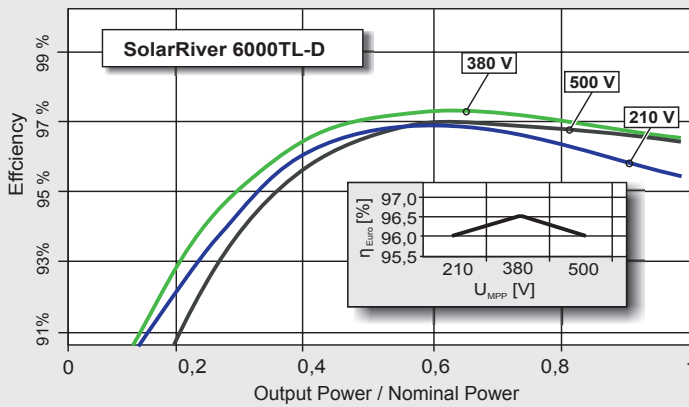
- Highest earnings through max. efficiency up to 97.6%
- Safe operation due to integrated DC switch
- IP65 protection level, capability in the harshest environmental conditions

#### RELIABLE. ECONOMICAL.

- No FAN design for low failure rate and longevity
- Sturdy design due to High Accelerated Life Testing(HALT) and rigorous Multiple Environmental Over Stress Testing(MEOST)
- Higher ROI (Return on Investment) through dual MPPT
- Defeating shade effect by Global Peak Tracker



	SolarRiver 3400TL-D	SolarRiver 4000TL-D	SolarRiver 4500TL-D
<b>Input (DC)</b>			
Max. DC power (@ $\cos\phi=1$ )	3400 W	4000 W	4500 W
Max. input voltage		550 V	
MPP voltage range / rated input voltage		165 V - 500 V / 380 V	
Min. input voltage / initial input voltage		100 V / 150 V	
Max. input current input A / input B	10.5 A / 10.5A	12 A / 12 A	13.5 A / 13.5 A
Max. input current per string input A / input B	10.5 A / 10.5A	12 A / 12 A	13.5 A / 13.5 A
Number of independent MPP inputs / strings per MPP input		2 / 1	
<b>Output (AC)</b>			
Rated power (@ 230 V / 50 Hz)	3000 W	3680 W	4000 W
Max. apparent AC power	3200 VA	3680 VA	4300 VA
Nominal AC voltage / range		230 V / 180 V - 270 V	
AC power frequency		50 Hz / 60 Hz	
Rated grid voltage / rated power frequency		230 V / 50 Hz	
Max. output current	16 A	16 A	22 A
Power factor at rated power		1	
Displacement power factor, adjustable		0.8 leading - 0.8 lagging	
Feed-in phases / connection phases		1 / 1	
THDi (at rated power)		< 3%	
<b>Efficiency</b>			
Max. efficiency / European weighted efficiency	97.4% / 96.5%	97.6% / 97.1%	97.6% / 97.1%
<b>Protective devices</b>			
DC disconnect device / AC disconnect device		○ / -	
Ground fault monitoring / grid monitoring		● / ●	
DC reverse polarity protection / AC short-circuit current capability		● / ●	
Galvanic isolation		-	
All-pole-sensitive residual-current monitoring unit		●	
Protection class (according to IEC 62103) / overvoltage category (according to IEC 60664-1)		I / II (DC), III (AC)	
<b>General data</b>			
Dimensions (W / H / D)		380 / 520 / 175 mm	
Weight		24 kg	
Operating temperature range		-20°C ... +60°C	
Noise emission (typical)		<30 dB	
Self-consumption (night)		<3 W	
Topology		Transformerless	
Cooling concept		Convection	
Degree of protection (according to IEC 60529)		IP65	
Maximum permissible value for relative humidity (non-condensing)		95%	
<b>Features</b>			
DC connection / AC connection		MC4, H4, SUNCLIX / Tool-free plug	
Display		3.5" TFT LCD	
Interface: RS485 / Wi-Fi / Ethernet		○ / ○ / ●	
Multi-function relay / digital input		1 / 4	
Warranty: 5 / 10 / 15 / 20 years		● / ○ / ○ / ○	
Certificates and approvals (additional on request)		CE, VDE 0126-1-1, RD 1699, G59/2, G83/2, EN 61000-3-2/3, EN 6100-6-1/2/3/4, IEC 62109-1/2, VDE AR-N4105, CEI 0-21, AS 4777.2/3, AS 3100:2009, C10/11, EN 50438, UTE C15-712-1, IEC 62116, IEC 61727	
● Standard features ○ Optional features — Not available			



	SolarRiver 5000TL-D	SolarRiver 5200TL-D	SolarRiver 6000TL-D
<b>Input (DC)</b>			
Max. DC power (@ $\cos\phi=1$ )	5000 W	5200 W	6000 W
Max. input voltage	550 V		
MPP voltage range / rated input voltage	175 V - 500 V / 380 V	175 V - 500 V / 380 V	210 V - 500 V / 380 V
Min. input voltage / initial input voltage	100 V / 150 V		
Max. input current input A / input B	15 A / 15 A		
Max. input current per string input A / input B	15 A / 15 A		
Number of independent MPP inputs / strings per MPP input	2 / 1		
<b>Output (AC)</b>			
Rated power (@ 230 V / 50 Hz)	4600 W	4600 W	5750 W
Max. apparent AC power	4600 VA	5000 VA	5750 VA
Nominal AC voltage / range	230 V / 180 V - 270 V		
AC power frequency	50 Hz / 60 Hz		
Rated grid voltage / rated power frequency	230 V / 50 Hz		
Max. output current	23 A	24 A	25 A
Power factor at rated power	1		
Displacement power factor, adjustable	0.8 leading - 0.8 lagging		
Feed-in phases / connection phases	1 / 1		
THDi (at rated power)	< 3%		
<b>Efficiency</b>			
Max. efficiency / European weighted efficiency	97.6% / 97.1%	97.6% / 97.1%	97.4% / 96.8%
<b>Protective devices</b>			
DC disconnect device / AC disconnect device	○ / -		
Ground fault monitoring / grid monitoring	● / ●		
DC reverse polarity protection / AC short-circuit current capability	● / ●		
Galvanic isolation	-		
All-pole-sensitive residual-current monitoring unit	●		
Protection class (according to IEC 62103) / overvoltage category (according to IEC 60664-1)	I / II (DC), III (AC)		
<b>General data</b>			
Dimensions (W / H / D)	380 / 520 / 175 mm		
Weight	24 kg		
Operating temperature range	-20°C ... +60°C		
Noise emission (typical)	<30 dB		
Self-consumption (night)	<3 W		
Topology	Transformerless		
Cooling concept	Convection		
Degree of protection (according to IEC 60529)	IP65		
Maximum permissible value for relative humidity (non-condensing)	95%		
<b>Features</b>			
DC connection / AC connection	MC4, H4, SUNCLIX / Tool-free plug		
Display	3.5" TFT LCD		
Interface: RS485 / Wi-Fi / Ethernet	○ / ○ / ●		
Multi-function relay / digital input	1 / 4		
Warranty: 5 / 10 / 15 / 20 years	● / ○ / ○ / ○		
Certificates and approvals (additional on request)	CE, VDE 0126-1-1, RD 1699, G59/2, G83/2, EN 61000-3-2/3, EN 6100-6-1/2/3/4, IEC 62109-1/2, VDE AR-N4105, CEI 0-21, AS 4777.2/3, AS 3100:2009, C10/11, EN 50438, UTE C15-712-1, IEC 62116, IEC 61727		
● Standard features ○ Optional features — Not available			



**Samil Power Co., Ltd. (China)**

Sales and Service Center, Wuxi  
No.52, Huigu Innovation Park, Huishan District, Wuxi,  
Jiangsu Province, 214174 P.R.C  
T: +86 (0) 510 8359 3132  
F: +86 (0) 510 8181 9678  
E: [info@samilpower.com](mailto:info@samilpower.com)

**Samil Power Ausco Pty Ltd. (Australia)**

Sydney Business and Technology Centre  
Unit 5/2 Railway Parade  
Lidcombe NSW 2141  
T: +61 (0) 2 9643 7788  
E: [australia@samilpower.com](mailto:australia@samilpower.com)

**Samil Power Co., Ltd. (China)**

Factory, Suqian  
No.6 Xuefengshan Road,  
Suyu District, Suqian,  
Jiangsu Province, 214174 P.R.C

**Samil Power US Ltd. (USA)**

3478 Buskirk Avenue, Suite 1000,  
Pleasant Hill, CA 94523  
T: +1 (925) 930 3924  
E: [usa@samilpower.com](mailto:usa@samilpower.com)

**Samil Power GmbH (Germany)**

Planckstraße 13  
D-22765 Hamburg  
T: +49 162 3333 055  
E: [germany@samilpower.com](mailto:germany@samilpower.com)

**Samil Power s.r.l. (Italia)**

Sede legale: C.so P.ta Vittoria 18  
20122 Milano  
T: +39 02 45 077 584  
F: +39 02 40 043 490  
E: [italy@samilpower.com](mailto:italy@samilpower.com)

**Samil Power UK Ltd. (UK)**

Unit 19 Horseshoe Park Horseshoe Lane  
Pangbourne Reading RG8 7JW  
T: +44 (0) 118 984 4481  
F: +44 (0) 118 984 4745  
E: [uk@samilpower.com](mailto:uk@samilpower.com)

**Samil Power France SARL (France)**

E: [france@samilpower.com](mailto:france@samilpower.com)

**Support Center Australia**

E: [service-australia@samilpower.com](mailto:service-australia@samilpower.com)

**Support Center Nederland**

E: [service-netherlands@samilpower.com](mailto:service-netherlands@samilpower.com)

**Support Center Deutschland**

E: [service-germany@samilpower.com](mailto:service-germany@samilpower.com)

**Support Center UK**

E: [service-uk@samilpower.com](mailto:service-uk@samilpower.com)

**Centro Assistenza Italia**

E: [service-italy@samilpower.com](mailto:service-italy@samilpower.com)

**Support Center USA**

E: [service-usa@samilpower.com](mailto:service-usa@samilpower.com)

