



## SolarRiver-S Series

### 1100 / 1600 / 2100 / 2600 / 3200TL-S

#### SIMPLE. FLEXIBLE.

- Free site selection due to IP65
- Easy installation and maintenance due to "Plug & Play" connection
- Parameter and country code setting during initial start-up

#### OPEN. CONVERSATIONAL.

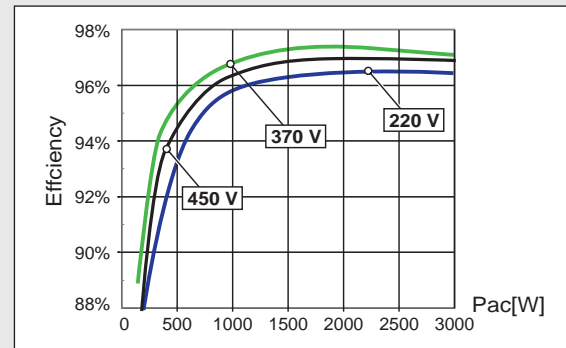
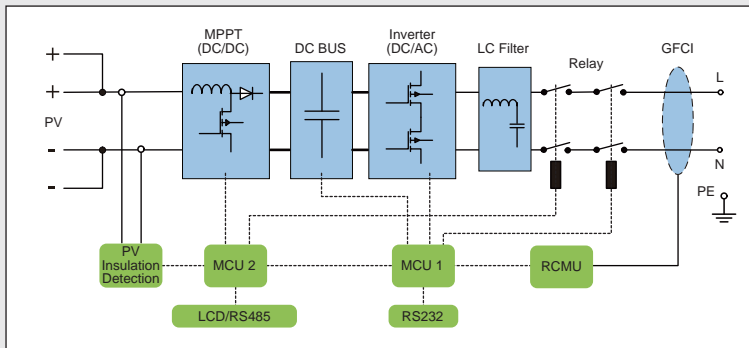
- Interface selection – Wi-Fi and RS485 for more flexible configuration and system monitoring
- Multi-lingual 2-line LCD display
- Digital inputs for the economic connection of a ripple control receiver
- Configurable multi-function relay output

#### SECURE. EFFICIENT.

- Highest earnings through max. efficiency up to 97.2%
- Safe operation due to integrated DC switch
- Free access to the Samil Power monitoring portal

#### RELIABLE . ECONOMICAL.

- No Fan design for low failure rate and longevity
- Sturdy design due to High Accelerated Life Testing(HALT) and rigorous Multiple Environmental Over Stress Testing(MEOST)
- Defeating shade effect by Global Peak Tracker



	SolarRiver 1100TL-S	SolarRiver 1600TL-S	SolarRiver 2100TL-S	SolarRiver 2600TL-S	SolarRiver 3200TL-S
<b>Input (DC)</b>					
Max. DC power (@cosφ=1)	1100 W	1600 W	2100 W	2600 W	3200 W
Max. input voltage	500 V				550 V
MPP voltage range / rated input voltage	100V - 400V / 380V	140V - 400V / 380V	170V - 400V / 380V	185V - 400V / 380V	188V - 450V / 380V
Min. input voltage / initial input voltage	80 V / 110 V				
Max. input current input A / input B	11 A / -	11.5 A / -	12.5 A / -	14 A / -	17 A / -
Max. input current per string input A / input B	11 A / -	11.5 A / -	12.5 A / -	14 A / -	17 A / -
Number of independent MPP inputs / strings per MPP input	1 / 1				
<b>Output (AC)</b>					
Rated power (@ 230 V / 50 Hz)	1000 W	1500 W	2000 W	2500 W	3000 W
Max. apparent AC power	1000 VA	1500 VA	2000 VA	2500 VA	3000 VA
Nominal AC voltage	220V / 230V / 240V				
Nominal AC voltage range	180 V - 277 V				
AC power frequency	50 Hz / 60 Hz				
Rated grid voltage / rated power frequency	230 V / 50 Hz				
Max. output current	4.5 A	6.8 A	9.1 A	11.4 A	13.6 A
Power factor at rated power	1				
Displacement power factor, adjustable	0.9 leading - 0.9 lagging				
Feed-in phases / connection phases	1 / 1				
THDi (at rated power)	< 3%				
<b>Efficiency</b>					
Max. efficiency / European weighted efficiency	96.6% / 95.5%	96.8% / 96.0%	96.8% / 96.0%	96.8% / 96.2%	97.2% / 96.4%
<b>Protective devices</b>					
DC disconnect device / AC disconnect device	○ / -				
Ground fault monitoring / grid monitoring	● / ●				
DC reverse polarity protection / AC short-circuit current capability	● / ●				
Galvanic isolation	-				
All-pole-sensitive residual-current monitoring unit	●				
Protection class (according to IEC 62103) / overvoltage category (according to IEC 60664-1)	I / II (DC), III (AC)				
<b>General data</b>					
Dimensions (W / H / D)	333 / 425 / 147 mm				
Weight	13 kg				
Operating temperature range	-20°C ... +60°C				
Noise emission (typical)	<28 dB				
Self-consumption (night)	0 W				
Topology	Transformerless				
Cooling concept	Convection				
Degree of protection (according to IEC 60529)	IP65				
Maximum permissible value for relative humidity (non-condensing)	95%				
<b>Features</b>					
DC connection / AC connection	MC4, H4, SUNCLIX / Tool-free plug				
Display	2-line LCD				
Interface: RS485 / Wi-Fi / Ethernet	○ / ○ / -				
Multi-function relay / digital inputs	1 / 4				
Warranty: 5 / 10 / 15 / 20 years	● / ○ / ○ / ○				
Certificates and approvals (additional on request)	CE, VDE 0126-1-1, G83/2, CEI 0-21, EN 61000-3-2/3, EN 6100-6-1/2/3/4, IEC 62109-1/2, VDE AR-N4105, AS 4777.2/3, AS 3100:2009, C10/11, EN 50438, UTE C15-712-1, IEC 62116, IEC61727				

● Standard features ○ Optional features - Not available



**Samil Power Co., Ltd. (China)**

Sales and Service Center, Wuxi  
No.52, Huigu Innovation Park, Huishan District, Wuxi,  
Jiangsu Province, 214174 P.R.C  
T: +86 (0) 510 8359 3132  
F: +86 (0) 510 8181 9678  
E: info@samilpower.com

**Samil Power Ausco Pty Ltd. (Australia)**

Sydney Business and Technology Centre  
Unit 5/2 Railway Parade  
Lidcombe NSW 2141  
T: +61 (0) 2 9643 7788  
E: australia@samilpower.com

**Samil Power Co., Ltd. (China)**

Factory, Suqian  
No.6 Xuefengshan Road,  
Suyu District, Suqian,  
Jiangsu Province, 214174 P.R.C

**Samil Power US Ltd. (USA)**

3478 Buskirk Avenue, Suite 1000,  
Pleasant Hill, CA 94523  
T: +1 (925) 930 3924  
E: usa@samilpower.com

**Samil Power GmbH (Germany)**

Planckstraße 13  
D-22765 Hamburg  
T: +49 162 3333 055  
E: germany@samilpower.com

**Samil Power s.r.l. (Italia)**

Sede legale: C.so P.ta Vittoria 18  
20122 Milano  
T: +39 02 45 077 584  
F: +39 02 40 043 490  
E: italy@samilpower.com

**Samil Power UK Ltd. (UK)**

Unit 19 Horseshoe Park Horseshoe Lane  
Pangbourne Reading RG8 7JW  
T: +44 (0) 118 984 4481  
F: +44 (0) 118 984 4745  
E: uk@samilpower.com

**Samil Power France SARL (France)**

E: france@samilpower.com

**Support Center Australia**

E: service-australia@samilpower.com

**Support Center Nederland**

E: service-netherlands@samilpower.com

**Support Center Deutschland**

E: service-germany@samilpower.com

**Support Center UK**

E: service-uk@samilpower.com

**Centro Assistenza Italia**

E: service-italy@samilpower.com

**Support Center USA**

E: service-usa@samilpower.com

